

BAF



LamWorks

Litho-Lamination Technologies

SERVO SYSTEM
AUTOMATIC FLUTE LAMINATION MACHINE

BAF



Sheet to
Sheet
Lamination

High Speed
and
Precision
Servo System

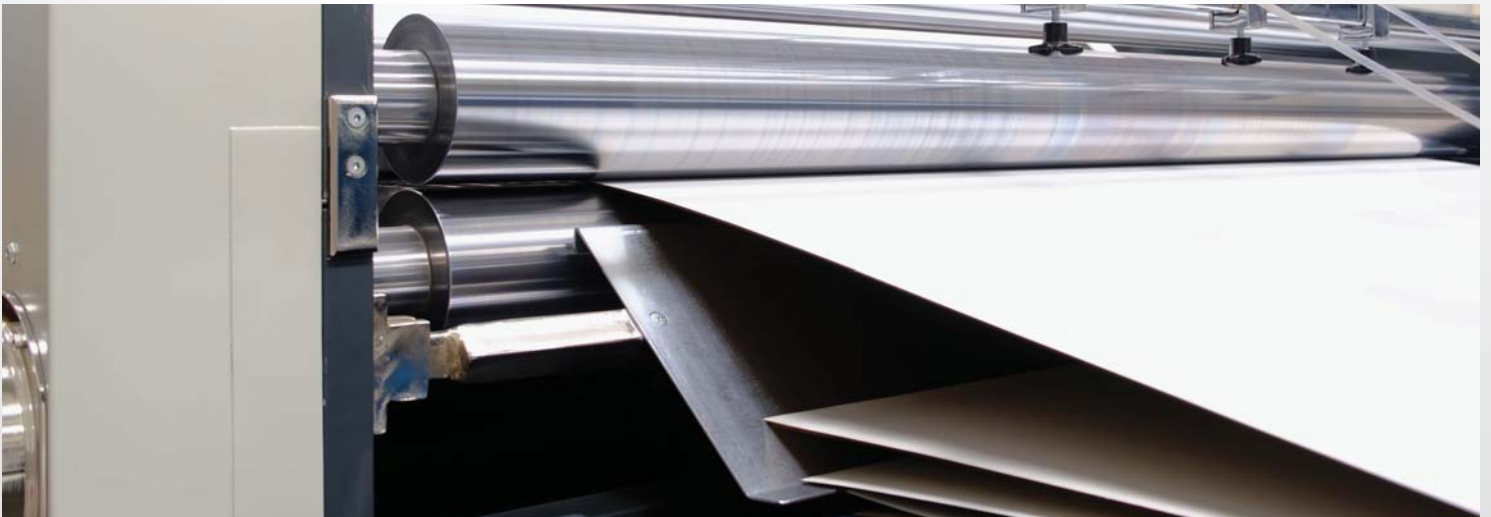
Fully Automatic
Job Change

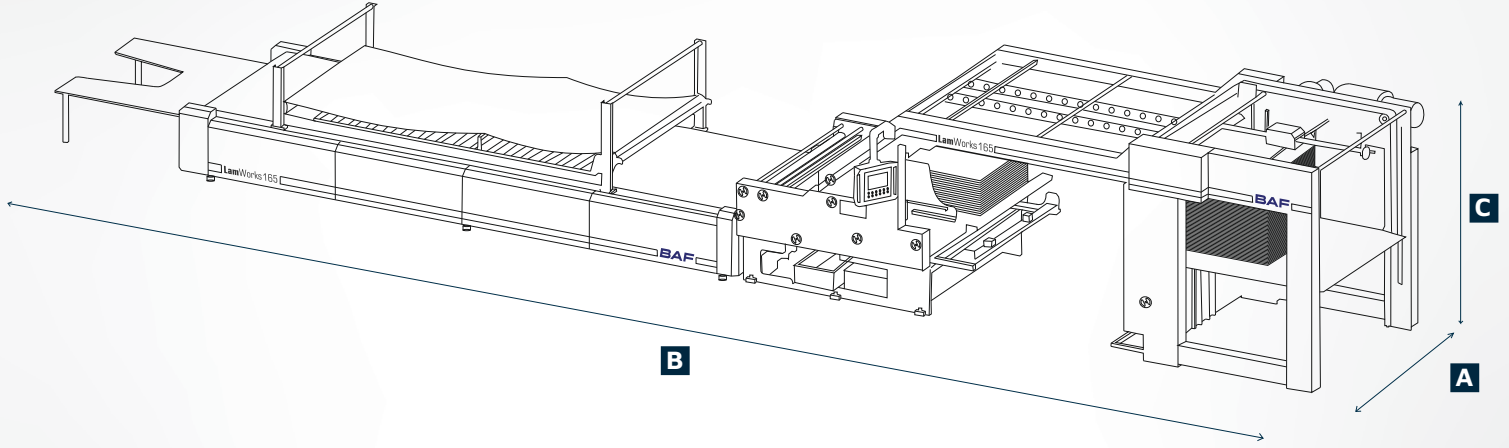
Saving and
Automatically
Controlled
Glue System





BAF





LamWorks 145/165 FA

Size Format

Sheet Sizes, Max.	1450mm x 1450mm / 1650mm x 1650mm
Sheet Sizes, Min.	500mm x 500mm

Stock Specs

Printed Sheet	200-500 gr/m ²
Single Flute	F-E-B-C
Double Flutes	EE-EB-BC-CC
Base Material	0,7-10 mm

Speed-Accuracy

Sheet Speed (p/h)	6.000
Lamination Speed (m/m)	100
Lamination Accuracy	+/- 2mm

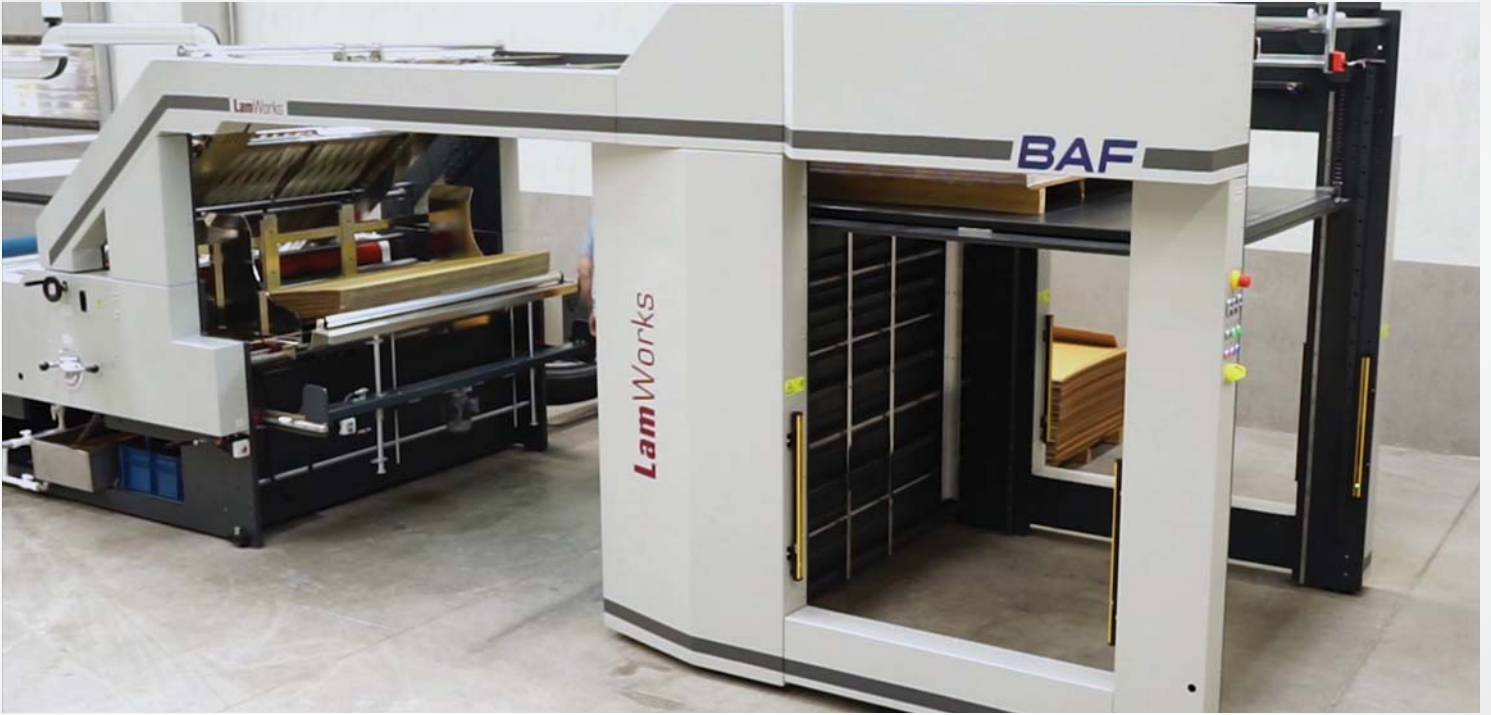
Measurement

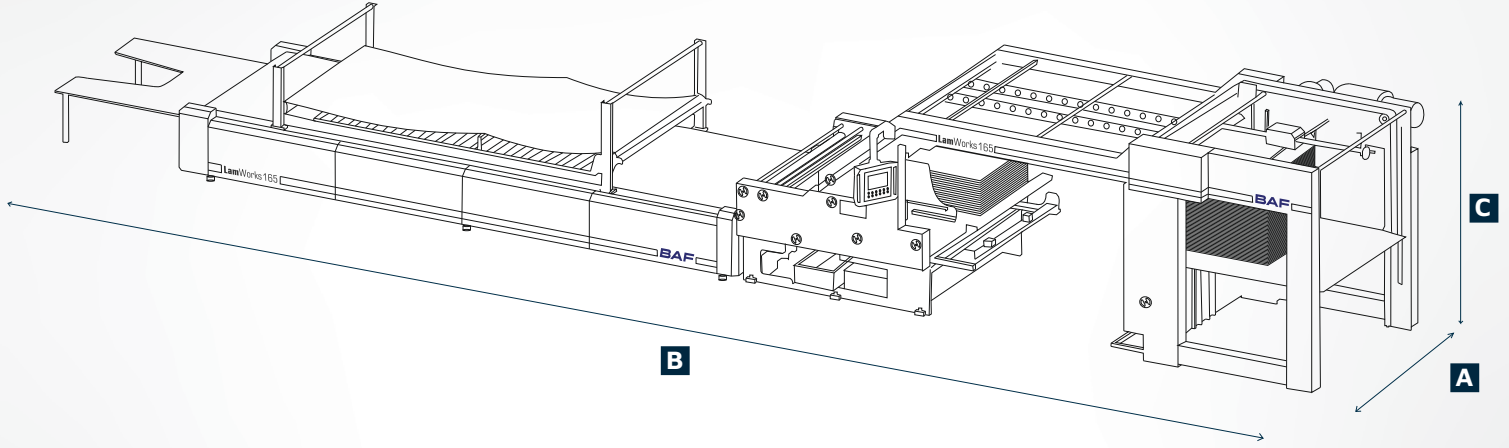
A 2820 MM

B 14.700 MM

C 2440 MM

BAF





LamWorks 145/165 FA+

Size Format

Sheet Sizes, Max.	1450mm x 1450mm / 1650mm x 1650mm
Sheet Sizes, Min.	500mm x 500mm

Stock Specs

Printed Sheet	200-500 gr/m ²
Single Flute	F-E-B-C
Double Flutes	EE-EB-BC-CC
Base Material	0,7-10 mm

Speed-Accuracy

Sheet Speed (p/h)	7.000
Lamination Speed (m/m)	120
Lamination Accuracy	+/- 1,5mm

Measurement

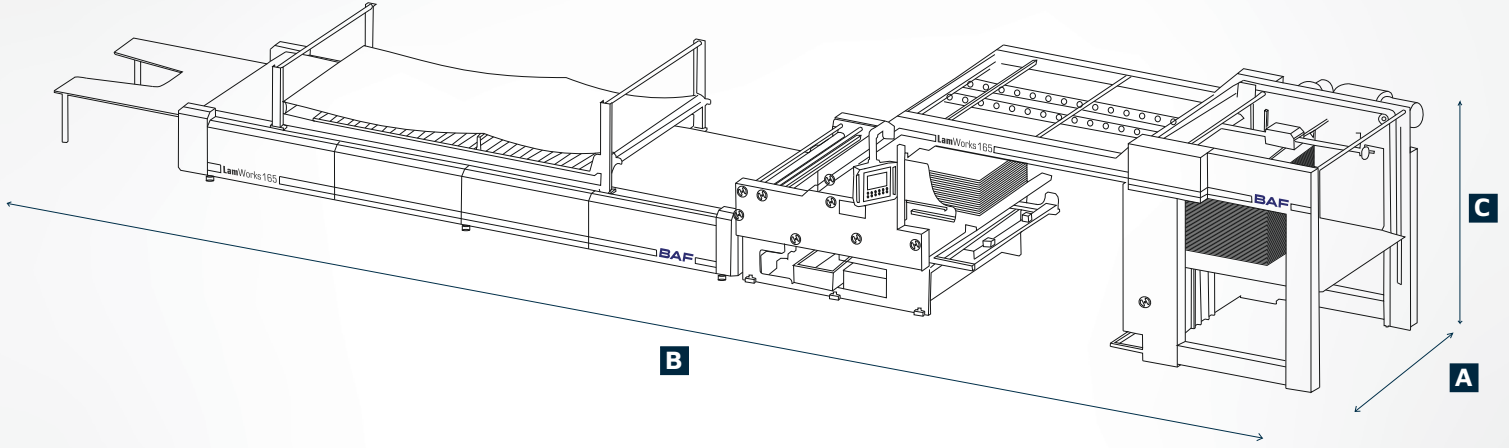
A 2820 MM

B 14.700 MM

C 2440 MM

BAF





LamWorks 165 Pro

Size Format

Sheet Sizes, Max.	1650mm x 1650mm
Sheet Sizes, Min.	500mm x 500mm

Stock Specs

Printed Sheet	180-500 gr/m ²
Single Flute	F-E-B-C
Double Flutes	EE-EB-BC-CC
Base Material	0,7-10 mm

Speed-Accuracy

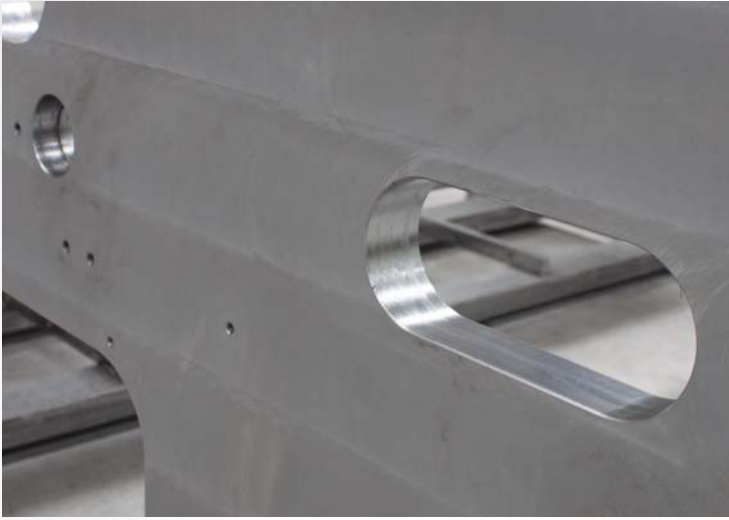
Sheet Speed (p/h)	10.000
Lamination Speed (m/m)	200
Lamination Accuracy	+/- 1mm

Measurement

A 2820 MM

B 14.700 MM

C 2440 MM



Rigid and Robust Chassis (35mm)



Acrylic Paint



Ø 125mm-100 Mic on Chrome Rollers



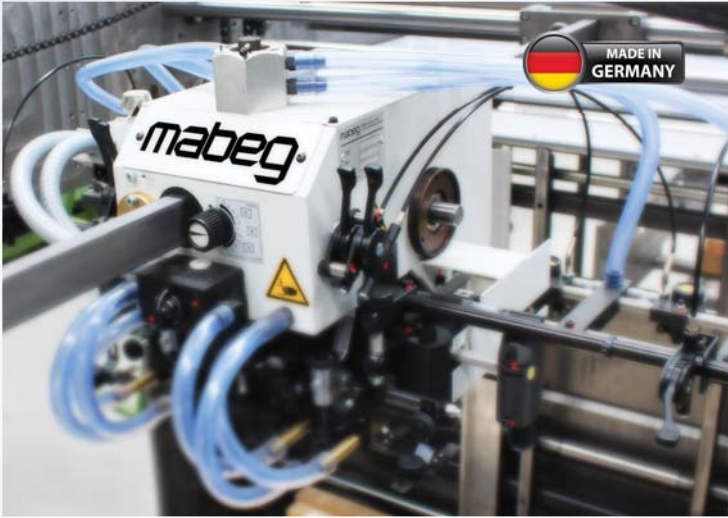
Glue Saving Roller



Stainless Contact Surface



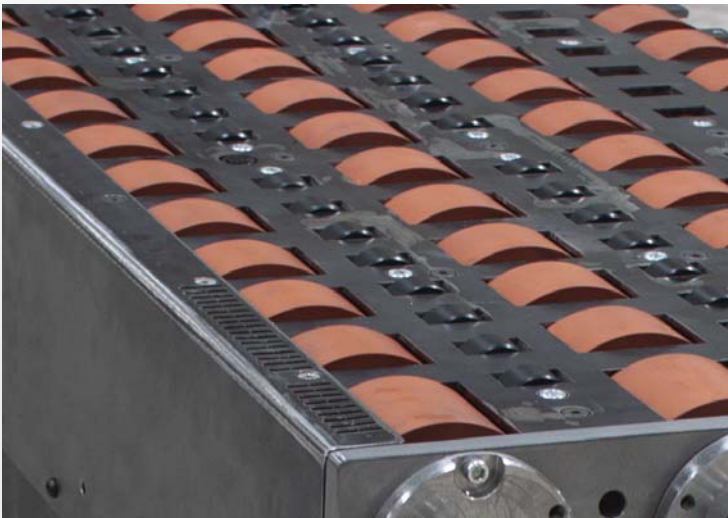
Automatic Job Change



Servo Driven Feeder (MABEG)



High Efficiency Compressor (BECKER)



Servo Driven High Speed Feeder



High Performance Latest Generation Siemens Servo Motors



High Efficiency and Lifetime Maintenance Free Gearboxes



S7-1500 Technology CPU Motion Controller (Siemens)

Elektor
airsystems gmbh



rexroth
A Bosch Company



WITTENSTEIN

SIEMENS

BAF



ABB

SICK



EAT•N



OUR SOLUTION PARTNERS

LamWorks

BAF MAKİNE ENDÜSTRİ A.Ş.

📍 Fevziçakmak Mah. Kobisan 3 San. Sıla Cad. 71/H-G
42210 Karatay/Konya/TURKEY

☎ +90 332 606 08 08

✉ baf@bafendustri.com.tr

🌐 www.bafendustri.com.tr



LamWorks™ is a BAF brands.

